

Universal Gooseneck Clamp for Tablets

ARMTBLTUGN



*actual product may vary from photos

DE: Bedienungsanleitung - de.startech.com

FR: Guide de l'utilisateur - fr.startech.com

ES: Guía del usuario - es.startech.com

IT: Guida per l'uso - it.startech.com

NL: Gebruiksaanwijzing - nl.startech.com

PT: Guia do usuário - pt.startech.com

For the latest information, technical specifications, and support for this product, please visit www.startech.com/ARMTBLTUGN.

Use of Trademarks, Registered Trademarks, and other Protected Names and Symbols

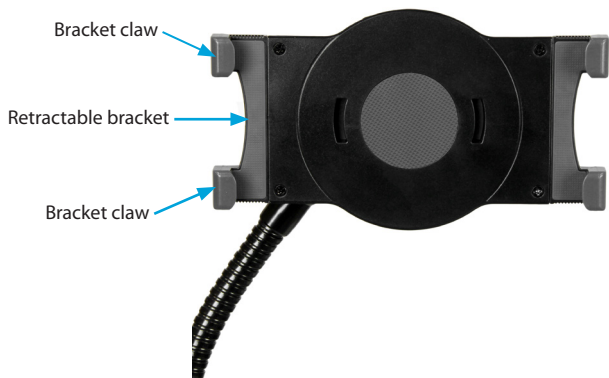
This manual may make reference to trademarks, registered trademarks, and other protected names and/or symbols of third-party companies not related in any way to StarTech.com. Where they occur these references are for illustrative purposes only and do not represent an endorsement of a product or service by StarTech.com, or an endorsement of the product(s) to which this manual applies by the third-party company in question. Regardless of any direct acknowledgement elsewhere in the body of this document, StarTech.com hereby acknowledges that all trademarks, registered trademarks, service marks, and other protected names and/or symbols contained in this manual and related documents are the property of their respective holders.

Table of Contents

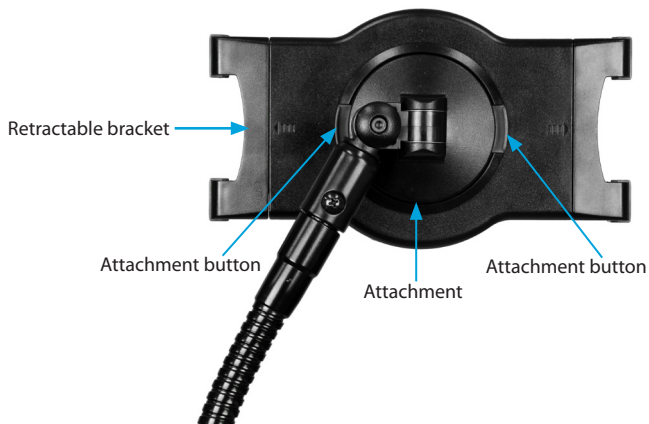
Product diagram	1
Front view of tablet holder	1
Rear view of tablet holder	1
Introduction	2
Packaging contents	2
Product overview	3
Assemble the universal tablet mount.....	4
Remove the tablet from the tablet arm.....	5
Adjusting the gooseneck tablet holder.....	6
Technical support.....	7
Warranty information.....	7

Product diagram

Front view of tablet holder

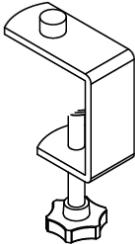
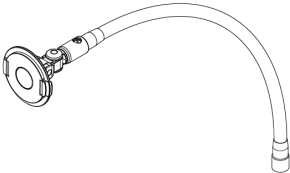
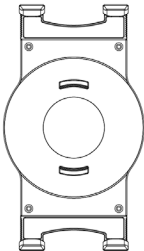
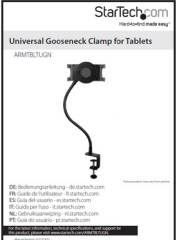


Rear view of tablet holder

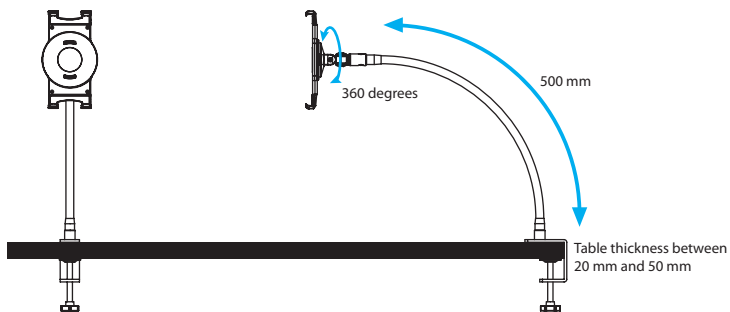


Introduction

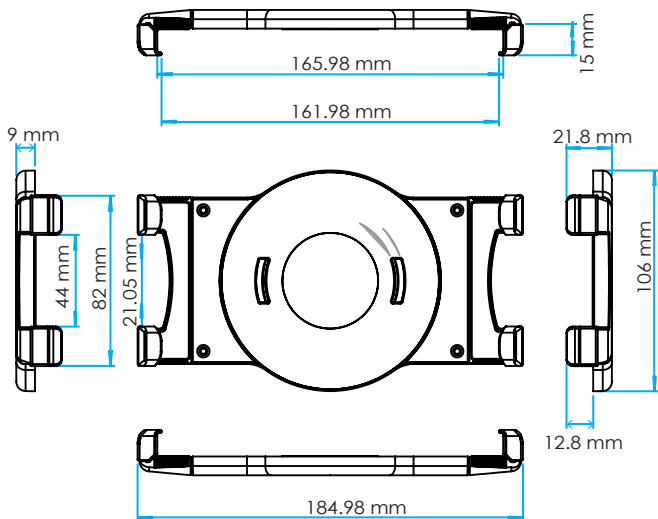
Packaging contents

<p>1</p>  <p>Clamp Quantity: One</p>	<p>2</p>  <p>Gooseneck arm Quantity: One</p>
<p>3</p>  <p>Tablet holder Quantity: One</p>	<p>4</p>  <p>Instruction manual Quantity: One</p>

Product overview

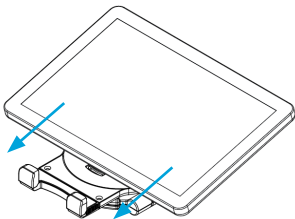


Tablet holder dimensions

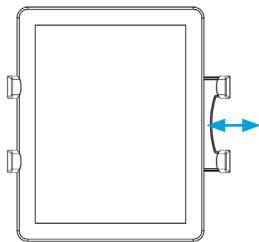


Assemble the universal tablet mount

1. To open the clamp, turn the knob on the clamp (1) to the left.
2. Open the clamp to the thickness of the table or desk that you will be attaching the tablet mount to.
3. Slide the clamp (1) over the edge of the table or desk and turn the knob on the clamp to the right to tighten the clamp. Keep turning the knob until the clamp is tightly attached to the table or desk.
4. Slide the end of the gooseneck arm (2) over the bolt on the clamp (1) and turn the arm to the right to tighten it.
5. With the tablet screen facing upwards, slide one of the long sides of the tablet into one of the retractable brackets on the tablet holder (3).

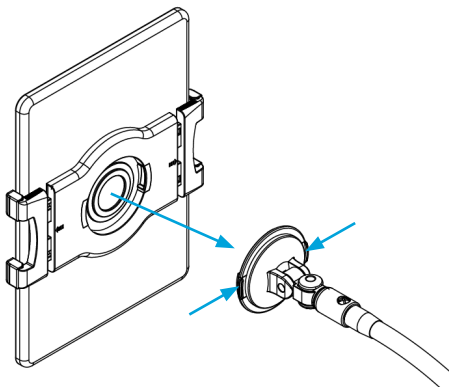


6. Pull out the other retractable bracket to open it up and place the bracket claw over the other side of the tablet. Gently release the bracket.



Caution! Make sure that the tablet is securely fixed into the tablet holder (3) before you proceed to the next step and attach the tablet holder to the gooseneck arm (2).

7. Press and hold the buttons on either side of the attachment at the end of the gooseneck arm (2).
8. Align the tablet holder (3) with the attachment on the gooseneck arm and release the buttons.



Remove the tablet from the tablet arm

1. Hold the tablet holder (3) while you press and hold the buttons on either side of the attachment at the end of the gooseneck arm (2).

Warning! Make sure that you have a secure hold on the tablet holder before you press the buttons.

2. Pull the tablet holder off of the gooseneck arm and release the buttons that you were pressing.
3. Pull one of the retractable brackets away from the side of the tablet.
4. Slide the tablet out from under the retractable bracket and pull it free from the tablet holder.

Adjusting the gooseneck tablet holder

The gooseneck arm (2) on the tablet holder can move 360 degrees in any direction. To position the arm, simply move it where you want it to go.

The tablet holder (3) moves in 90 degree increments in either direction, so the tablet can be in either landscape or portrait position. To move the tablet holder, grasp the side of the tablet and move it in the direction that you want it to go in. When you have moved the tablet holder 90 degrees, you will hear a click to indicate that the tablet holder is in place.

The tablet holder also swivels up to 180 degrees. To move the tablet holder, grasp the side of the tablet and swivel it to the position that you want it to be in.

Technical support

StarTech.com's lifetime technical support is an integral part of our commitment to provide industry-leading solutions. If you ever need help with your product, visit www.startech.com/support and access our comprehensive selection of online tools, documentation, and downloads.

For the latest drivers/software, please visit www.startech.com/downloads

Warranty information

This product is backed by a two-year warranty.

StarTech.com warrants its products against defects in materials and workmanship for the periods noted, following the initial date of purchase. During this period, the products may be returned for repair, or replacement with equivalent products at our discretion. The warranty covers parts and labor costs only. StarTech.com does not warrant its products from defects or damages arising from misuse, abuse, alteration, or normal wear and tear.

Limitation of liability

In no event shall the liability of StarTech.com Ltd. and StarTech.com USA LLP (or their officers, directors, employees or agents) for any damages (whether direct or indirect, special, punitive, incidental, consequential, or otherwise), loss of profits, loss of business, or any pecuniary loss, arising out of or related to the use of the product exceed the actual price paid for the product. Some states do not allow the exclusion or limitation of incidental or consequential damages. If such laws apply, the limitations or exclusions contained in this statement may not apply to you.

Hard-to-find made easy. At StarTech.com, that isn't a slogan. It's a promise.

StarTech.com is your one-stop source for every connectivity part you need. From the latest technology to legacy products — and all the parts that bridge the old and new — we can help you find the parts that connect your solutions.

We make it easy to locate the parts, and we quickly deliver them wherever they need to go. Just talk to one of our tech advisors or visit our website. You'll be connected to the products you need in no time.

Visit www.startech.com for complete information on all StarTech.com products and to access exclusive resources and time-saving tools.

StarTech.com is an ISO 9001 Registered manufacturer of connectivity and technology parts. StarTech.com was founded in 1985 and has operations in the United States, Canada, the United Kingdom and Taiwan servicing a worldwide market.